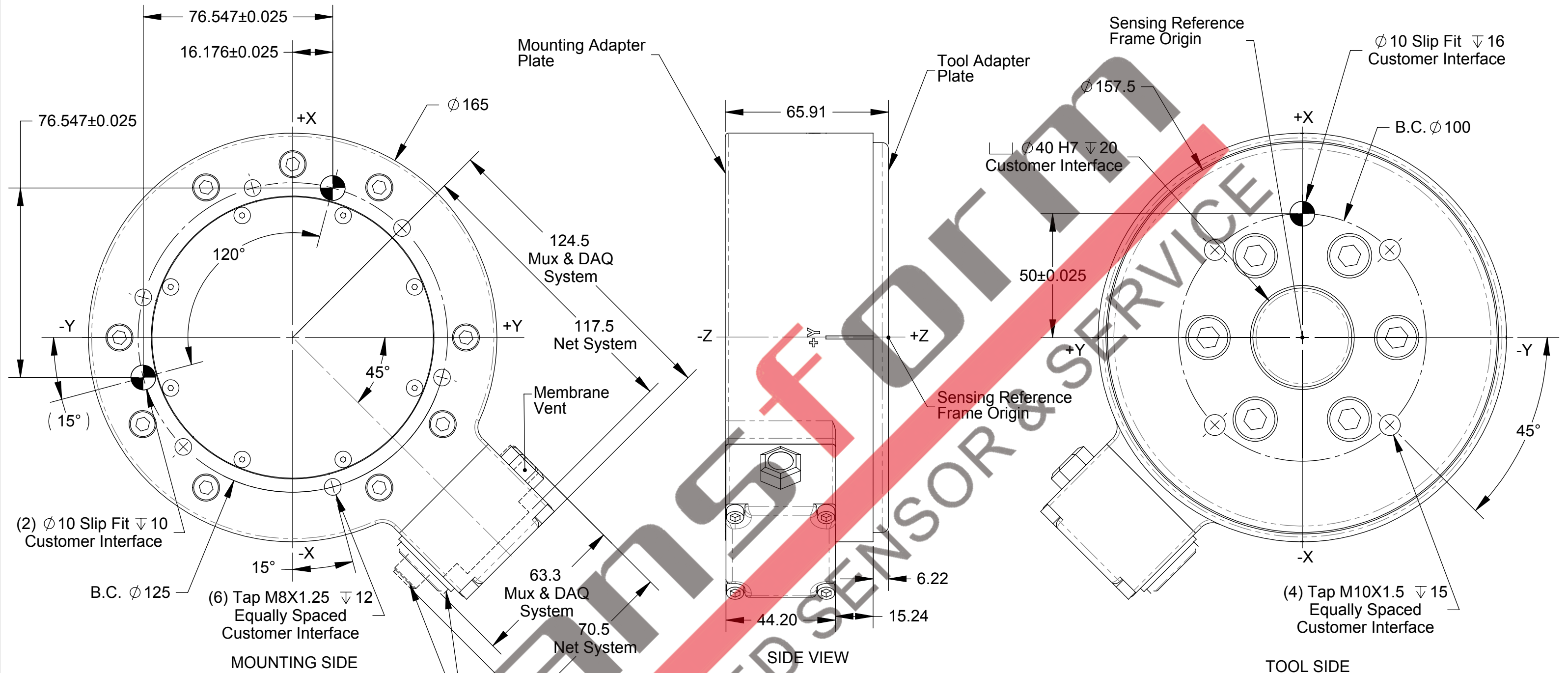
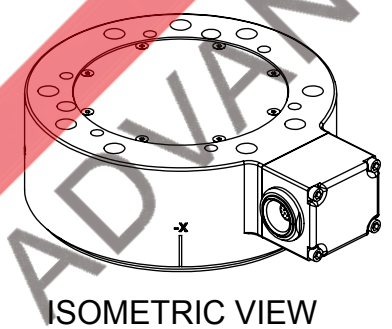


Rev.	Description	Initiator	Date
01	Initial Issue	PS	2/16/2006
02	Added Net Dimensions	ALH	8/8/2008



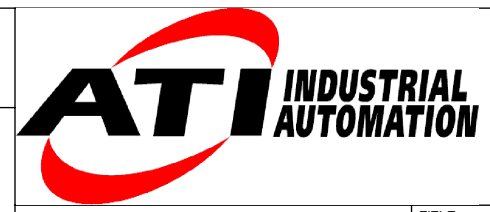
- Notes:**
1. Material: Stainless Steel
 2. Sensing Reference Frame Origin at surface center of Tool Adapter.
 3. Do not disassemble transducer. Doing so could damage transducer and will void warranty.
 4. For best accuracy, transducer must be mounted to surfaces rigid enough to support loads without deflection.
 5. Cable must be connected to transducer to maintain proper seal.
 6. Cable is IP65 rated only at transducer end.



NOTES: UNLESS OTHERWISE SPECIFIED

DO NOT SCALE DRAWING. DRAWN IN SOLIDWORKS. ALL DIMENSIONS ARE IN MILLIMETERS.

3rd ANGLE PROJECTION



1031 Goodworth Drive, Apex, NC 27539, USA
 Tel: +1.919.772.0115 Email: info@ati-ia.com
 Fax: +1.919.772.8259 www.ati-ia.com
 ISO 9001 Registered Company

DRAWN BY: P.Sparrow, 2/16/06	TITLE: IP65 Omega160 Transducer		
CHECKED BY: D.Norton, 2/17/06	SCALE: 1:1.5	SIZE: B	DRAWING NUMBER: 9230-05-1269-02
WEIGHT LBS: 16	PRODUCT RELEASE #	DATE:	SHEET 1 OF 1
ASSEMBLY REF:			