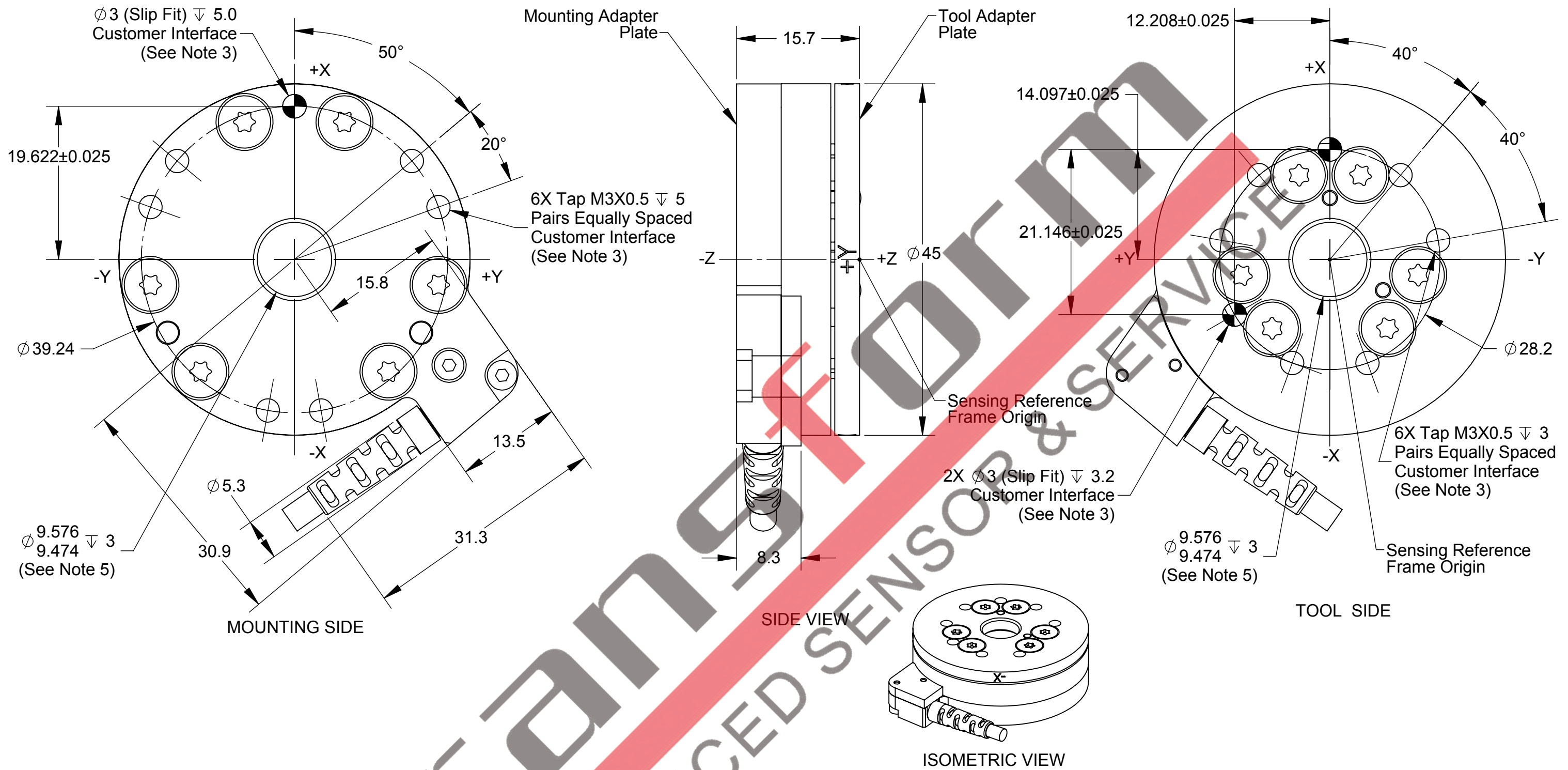


Rev.	Description	Initiator	Date
04	ECO 14343: Added missing $\phi 28.2$ call out to TOOL SIDE view; Updated notes, formatting to current standards.	TBC	8/1/2016



- NOTES:**
1. Material: Mounting and Tool adapter made of Aluminum, Transducer made of Stainless Steel.
 2. **WARNING: DO NOT LOOSEN OR REMOVE INTERFACE PLATES OR CABLE DUE TO POTENTIAL DAMAGE.**
 3. **DO NOT EXCEED INTERFACE DEPTH. MAY CAUSE DAMAGE.**
 4. Standard connector (not shown) has 17mm diameter & is 67.5mm long.
 5. Do not allow items passing through center hole to touch both the mounting and tool adapter plates or accuracy will be compromised.

NOTES: UNLESS OTHERWISE SPECIFIED.
DO NOT SCALE DRAWING. ALL DIMENSIONS ARE IN MILLIMETERS.



1031 Goodworth Drive, Apex, NC 27539, USA
Tel: +1.919.772.0115 Email: info@ati-ia.com
Fax: +1.919.772.8259 www.ati-ia.com
ISO 9001 Registered Company

PROPERTY OF ATI INDUSTRIAL AUTOMATION, INC. NOT TO BE REPRODUCED IN ANY MANNER EXCEPT ON ORDER OR WITH PRIOR WRITTEN AUTHORIZATION OF ATI.

DRAWN BY: R. Chambers 7/17/08		TITLE	
CHECKED BY: P. Fusco 7/17/08		Mini45-ERA Transducer	
PROJECT #	SHEET 1 OF 1	SCALE	REVISION
		2:1	04
		SIZE	DRAWING NUMBER
		B	9230-05-1338

