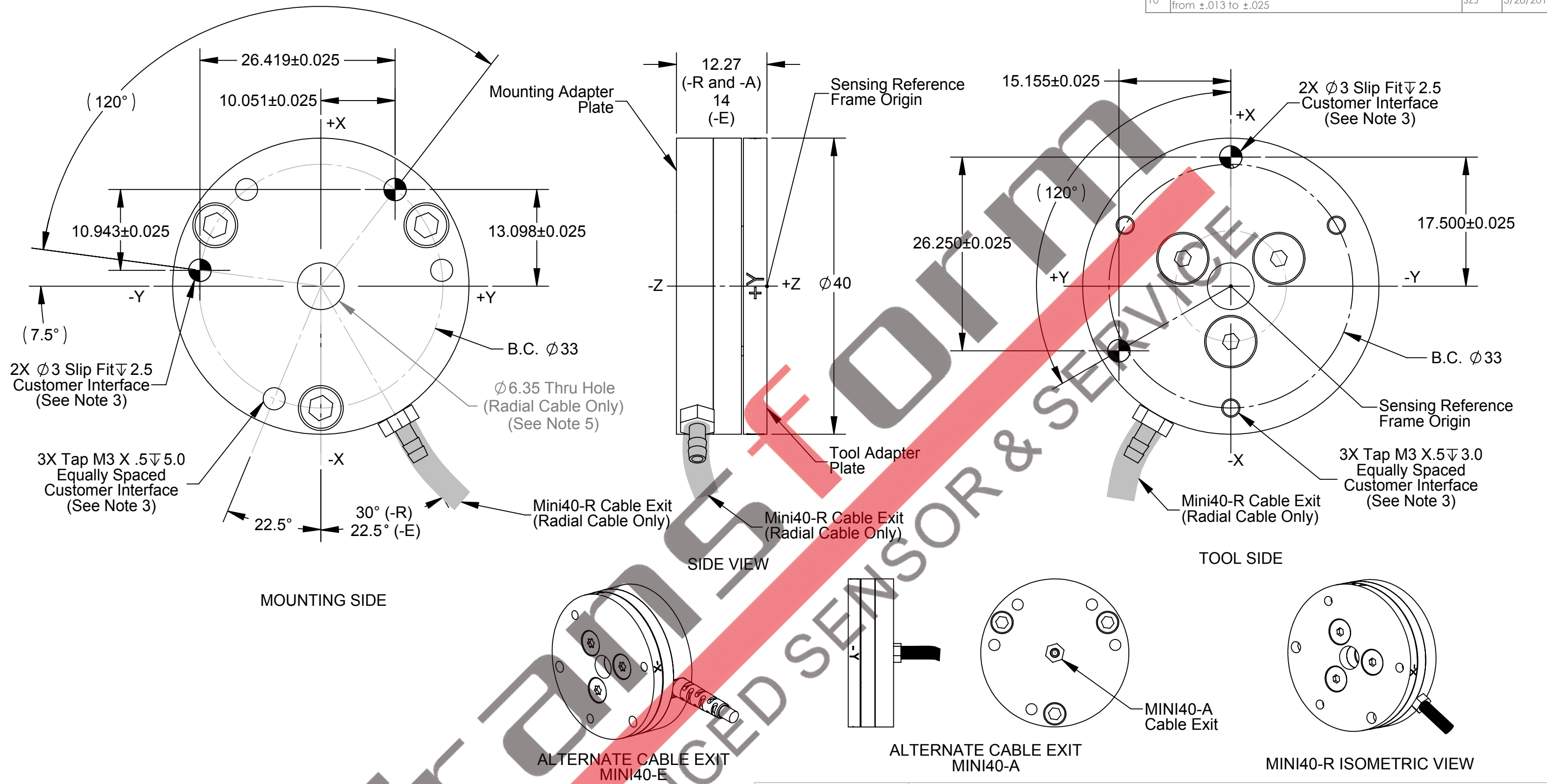


Rev.	Description	Initiator	Date
10	ECO 14323; Increased tolerance on dowel hole positions from ±.013 to ±.025	SZJ	3/28/2016



- Notes:
1. Material: Mounting and Tool Adapter made of either Aluminum or Stainless Steel (customer specified). Transducer made of hardened Stainless Steel.
 2. **WARNING: DO NOT LOOSEN OR REMOVE INTERFACE PLATES OR CABLE FITTING DUE TO POTENTIAL DAMAGE.**
 3. **DO NOT EXCEED INTERFACE DEPTH, MAY CAUSE DAMAGE.**
 4. Standard connector (not shown) has 17mm diameter and is 67.5mm long.
 5. For Radial cable units: Do not allow items passing through center hole to touch both the Mounting and Tool Adapter Plates or accuracy will be compromised.

NOTES: UNLESS OTHERWISE SPECIFIED.
DO NOT SCALE DRAWING. ALL DIMENSIONS ARE IN MILLIMETERS.



1031 Goodworth Drive, Apex, NC 27539, USA
Tel: +1.919.772.0115 Email: info@ati-ia.com
Fax: +1.919.772.8259 www.ati-ia.com
ISO 9001 Registered Company

PROPERTY OF ATI INDUSTRIAL AUTOMATION, INC. NOT TO BE REPRODUCED IN ANY MANNER EXCEPT ON ORDER OR WITH PRIOR WRITTEN AUTHORIZATION OF ATI.

DRAWN BY: D. Swanson 3/9/06		TITLE	
CHECKED BY: D. Perry 3/9/06		Mini40 Transducer Radial & Axial Cable Exit	
PROJECT #	SHEET 1 OF 1	SCALE	SIZE
		2:1	B
DRAWING NUMBER		REVISION	
9230-05-1278		10	

