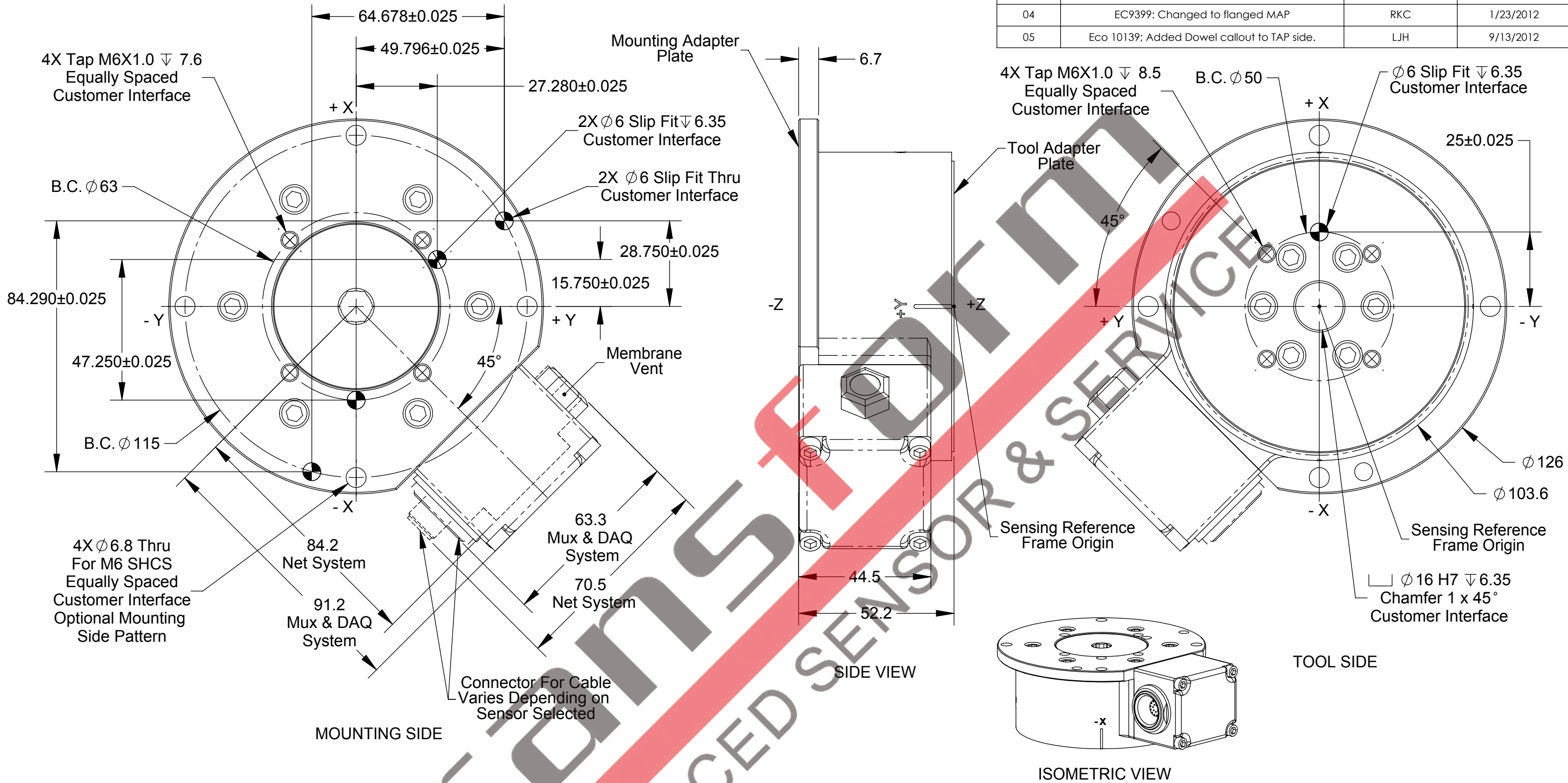


Rev.	Description	Initiator	Date
04	EC9399; Changed to flanged MAP	RKC	1/23/2012
05	Eco 10139; Added Dowel callout to TAP side.	LJH	9/13/2012

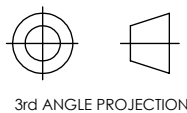


**Notes:**

1. Material: Stainless Steel and Aluminum
2. Sensing Reference Frame Origin at Surface Center of Tool Adapter.
3. Do not disassemble transducer. Doing so could damage transducer and will void warranty.
4. For best accuracy, transducer must be mounted to a surface rigid enough to support loads without deflection.
5. Cable must be connected to transducer to maintain proper seal.
6. Cable is IP65 rated only at transducer end.

NOTES: UNLESS OTHERWISE SPECIFIED.

DO NOT SCALE DRAWING. ALL DIMENSIONS ARE IN MILLIMETERS.



1031 Goodworth Drive, Apex, NC 27539, USA  
 Tel: +1.919.772.0115 Email: info@ati-ia.com  
 Fax: +1.919.772.8259 www.ati-ia.com  
 ISO 9001 Registered Company

PROPERTY OF ATI INDUSTRIAL AUTOMATION, INC. NOT TO BE REPRODUCED IN ANY MANNER EXCEPT ON ORDER OR WITH PRIOR WRITTEN AUTHORIZATION OF ATI.

DRAWN BY: P.Sparrow, 2/16/06		TITLE	
CHECKED BY: D. Norton, 2/17/06		IP65 Delta Transducer	
PROJECT #	SHEET 1 OF 1	SCALE	SIZE
		4:5	B
		DRAWING NUMBER	REVISION
		9230-05-1267	05